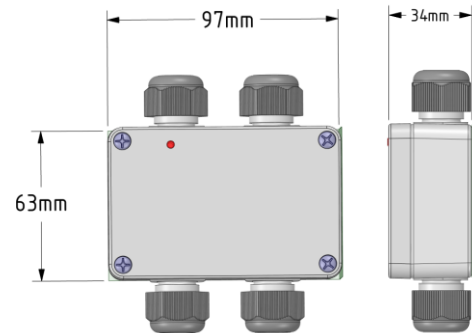
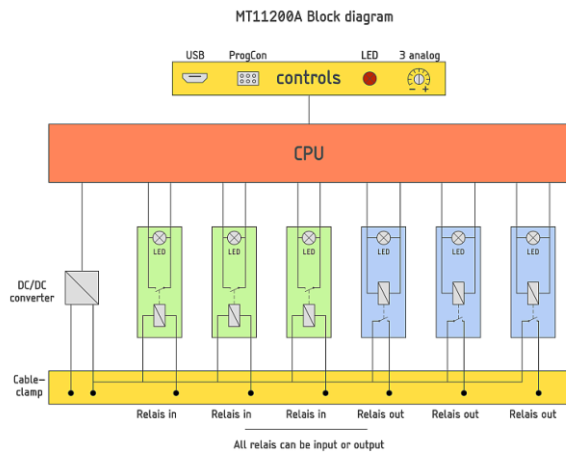


MT11200

Controller for harsh environments
Product specifications

M · S · N · T
www.msnt.de



MT11200A PA** enclosure

PRODUCT CONCEPT

Industrial quality PLC for software developers and system designers. Complete solution for the rough environment (e.g. trucks, ships, pump stations). Ready to run solution. Speeds up development, installation and time to market.

MT11200 Key functional parameters

Indicators:	6 x relay status. 1 software controlled, visible on lid
User input:	3 x trimmer (e.g. for timing, setpoint, reference)
Relay ports:	6 x in or out. Classic (coil), fast (semiconductor), AC
Voltage:	12 or 24 Volt DC also wide range 9 - 36 Volt DC
Enclosure:	PA** or alloy. Protection up to IP 68

Features / benefits

Rugged, waterproof construction

Intuitive design, highly configurable

choice of programming environments

Programming templates available

Shielded enclosure (-A opt.)

Compact, only small wall space needed

Easy to install, easy to wire

Tight, lightweight, low shipping costs

Options:

- High current relays
- Fast switching semiconductor relays
- Zero crossing AC switches

Ordering examples

Part Nr.	Switches	Switching Time	Controller (***)	Enclosure	Voltage	Cable-Inlets	Dimension w x h x d (mm)
MT11200-A-V24-R*	Relays	10 Hz	PIC16F1459	Alloy	24V DC	3	98 x 90 x 34
MT11200-P2-V12-R*	Relays	10 Hz	-"-	PA	12V DC	2	98 x 86 x 34
MT11200-P4-V24-R*	Relays	10 Hz	-"-	PA	24V DC	4	98 x 110 x 34
MT11200-A-V36-S*	Semic.	>9 kHz	-"-	Alloy	9-36 VDC	2	98 x 86 x 34

* Number of Input Relais **PA = Polyäthylen, *** more coming soon

More information on MSNT rugged controllers available. Please contact:

MSNT GmbH, Neumann-Reichardt-Str. 4, 22041 Hamburg, Germany

Tel: +49 (0) 40 30 60 63 56 Fax: Tel: +49 (0) 40 30 60 63 57 email: vertrieb@msnt.de

[Devices for the harsh environment](#)
[From shop floor to offshore](#)